

Model Overview

Audi e-tron

Model name	Model cycle	Site
e-tron	from 2019	3

Legal Disclaimer:

This manual has been created exclusively for rescuers who have been specially trained in the area of providing emergency rescue after automobile accidents and who are therefore qualified to use the activities described in this manual. Furthermore, this manual shows the maximum possible equipment specification in the model overview.

Vehicle specifications and special options as well as Audi model availability are constantly subject to change. Therefore, Audi reserves the right to change the content of this manual at all times.

Please note: The information contained in this manual is not intended for customers or for repair shops and dealers. Customers may gather detailed information from their vehicle owner's manual regarding vehicle function as well as any occupant safety features and system descriptions.

Repair shops and dealers obtain repair information through their normal channels.

(Status: 09/2019)



Hint:

The maximum possible equipment specification is always shown in the model overview.

You will find "Rescue and Recovery involving Audi Vehicles" in a separate part of the same title.

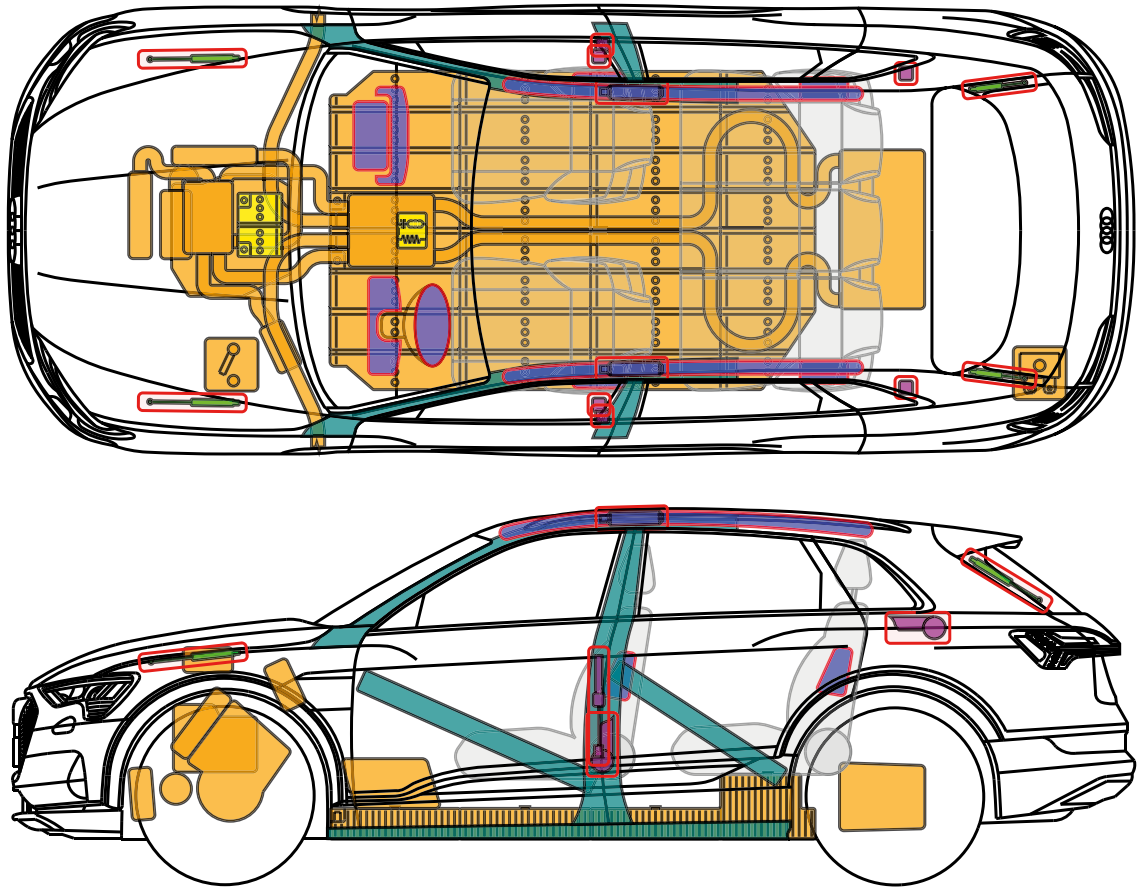
The creation of this Rescue Data sheets is supported by Moditech Rescue Solutions (www.moditech.com). The vehicle overviews in the attachment are also included in interactive form in the data base "Crash Recovery System".

This document is a subject to the copyright of AUDI AG, Ingolstadt. Any duplication, distribution, storage, communication, broadcast and reproduction or transmission of the contents without written approval from AUDI AG is prohibited.



▶ Audi e-tron

from 2019



Legend

	Airbag		Automatic roll bar		Fuel tank		High voltage emergency disconnect
	Stored gas inflator		Cylinder		High voltage battery		High voltage -cable/ -component
	Seatbelt pretensioner		SRS control unit		12 V Battery		Fusebox
	Reinforcement						

This document is a subject to the copyright of AUDI AG, Ingolstadt. Any duplication, distribution, storage, communication, broadcast and reproduction or transmission of the contents without written approval from AUDI AG is prohibited.



▶ Audi e-tron

from 2019

Characteristic features

The Audi e-tron can be identified by the characteristic body design (only electric drive variant), the charging socket and the e-tron logo.

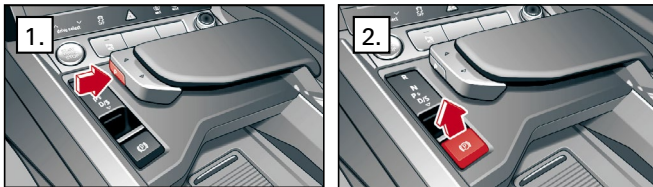


e-tron

The e-tron logo at the rear and side can optionally be deselected

Vehicle immobilization

1. Push "P"-Button on gear lever
2. Apply parking brake



Switch off ignition

Press START-STOP button without depressing brake pedal



Warning: When pressing the START-ENGINE-STOP button and depressing the brake pedal at the same time, the engine will start!

The electric motor is silent. The display on the left of the instrument cluster (power metre) indicates if the drive system is switched off („OFF“) or ready to drive („READY“).



e-tron



▶ Audi e-tron

from 2019

Deactivation of High Voltage System

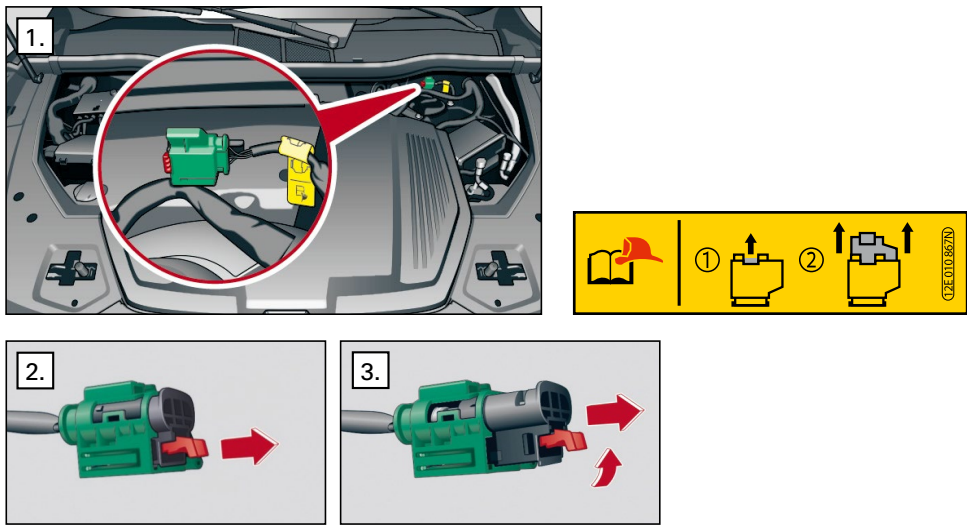
! The High Voltage System is automatically deactivated during accidents in which the airbag(s) deployed.

For all other cases, deactivate the High Voltage System as follows

Alternative 1 – Emergency disconnect in the vehicle front end accessible,

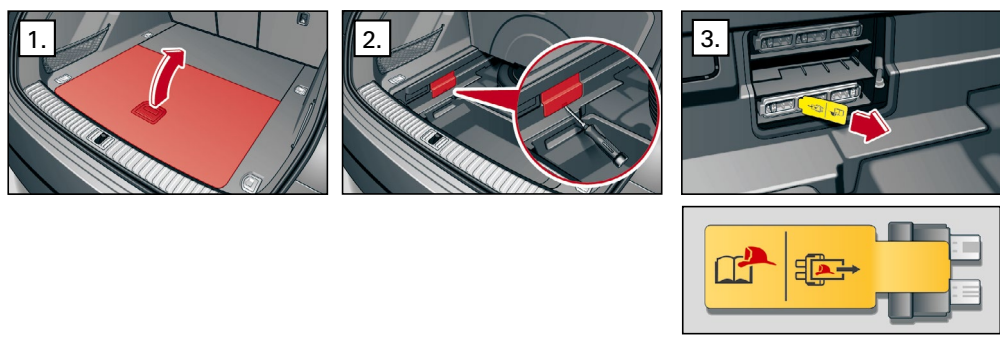
open the motor compartment hood

1. Locate the emergency disconnect ➔ on the left side next to the plenum panel
2. Pull out red flap from emergency disconnect
3. Pull out black plug while pressing the red tab



Alternative 2- Emergency disconnect fuse in trunk

1. Remove the cargo floor
2. Remove fuse box cover
3. Identify emergency fuse disconnection tab and pull out the tab



e-tron



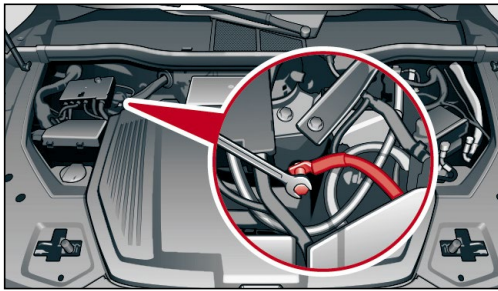
▶ **Audi e-tron**

frab 2019

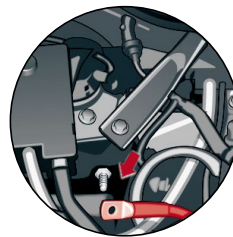
Disconnect 12 V battery

The 12 V battery is located in the vehicle front end under a cover, next to the plenum panel.

The 12 V negative battery cable is connected to the chassis suspension strut, see picture 1.
 Unscrew the negative battery cable from the chassis suspension strut, see picture 2.

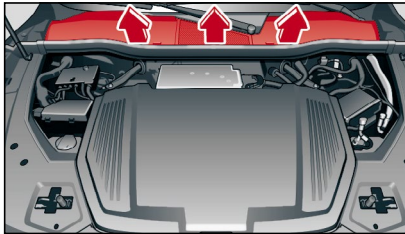


picture 1

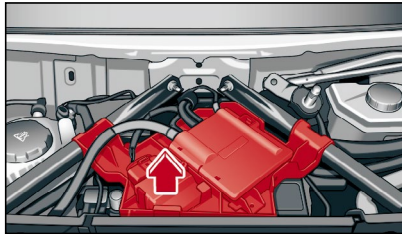


picture 2

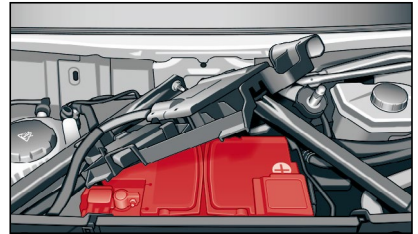
The 12 V battery can be accessed when the cover and control boxes located on the top of the battery are removed, see picture 3-5.



picture 3



picture 4

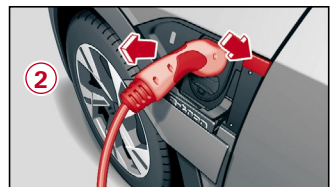
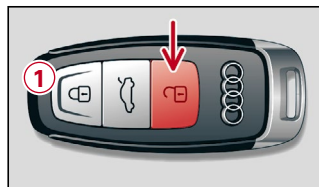


picture 5

Disconnect charging cable

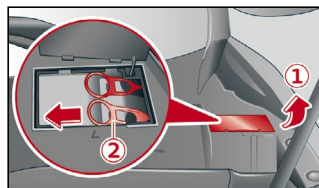
Vehicle connected to charging station:

1. Unlock vehicle via remote control
2. Push button charging socket and disconnect the charging connector



Releasing the charging connector manually in case of failure:
 open the bonnet

1. Open the cover in the motor compartment on the appropriate side for the connection affected
2. Release the yellow ring from its holder and pull the ring carefully
3. Disconnect the charging connector



If needed, refer to additional steps in this rescue sheet